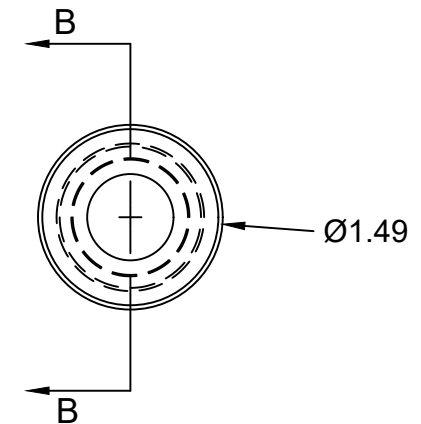
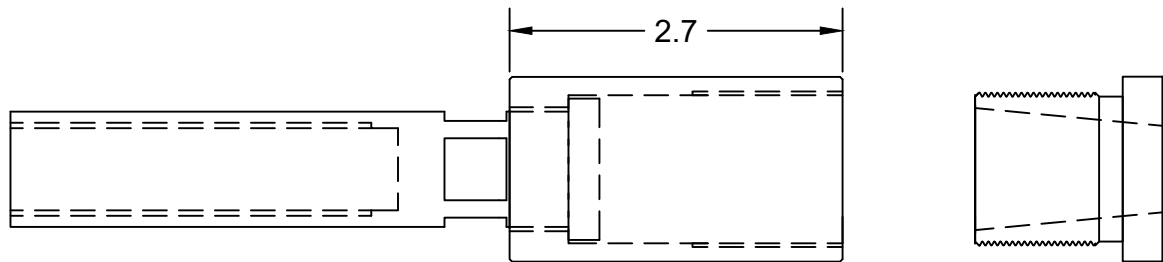


SECTION B-B



**POST-TENSION  
PRODUCTS**

5265 45 ST BLDG #5 VERO BEACH FL 32907

**ADA1**

ADJUSTABLE ANCHORS – ZINC PLATED, 1/2" CABLE

DRAWN	GLL
CHECKED	FG
SCALE	NTS

DATE: 06/03/24

DWG. NO.

SK-1

SHEET 1 OF 1